

English



MOON9-KIT

2-Wire Video Outdoor Station

User Manual

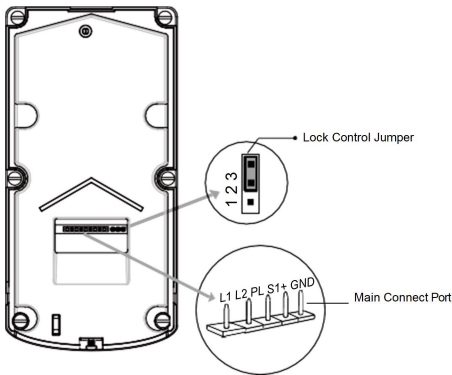


Tad-47



*Moon-9-KIT (Panel + Monitor)
2-wires door entry kit*

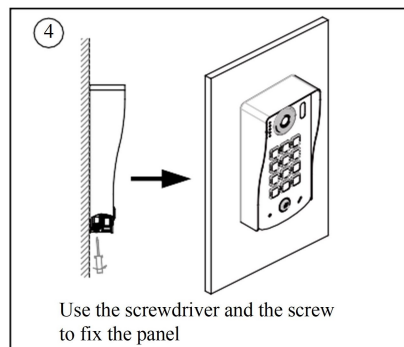
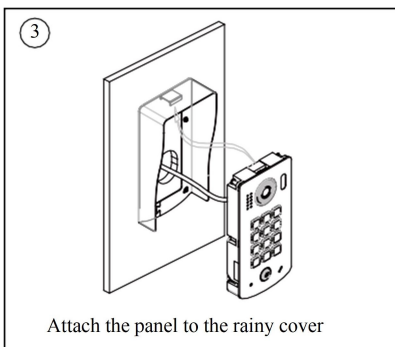
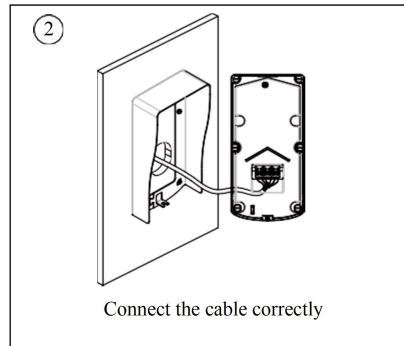
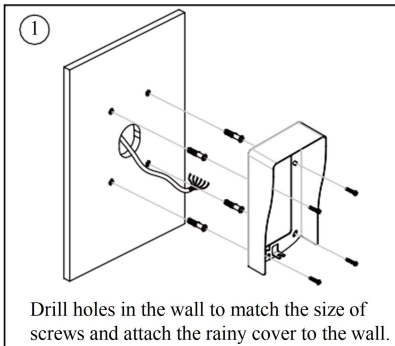
2. Terminal Descriptions



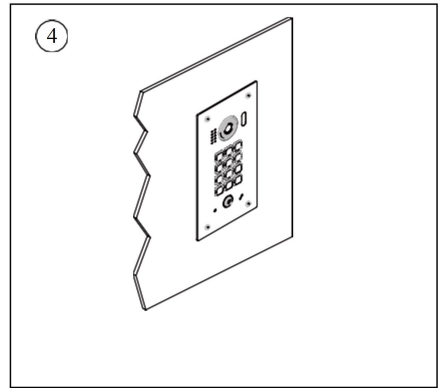
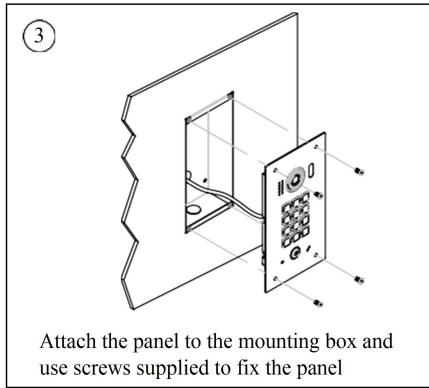
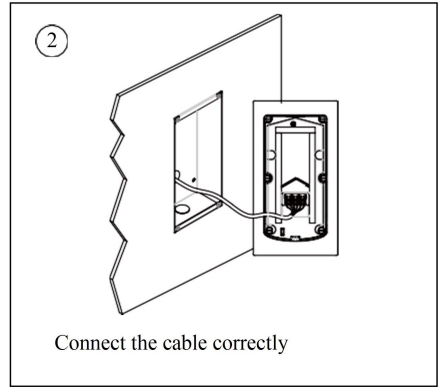
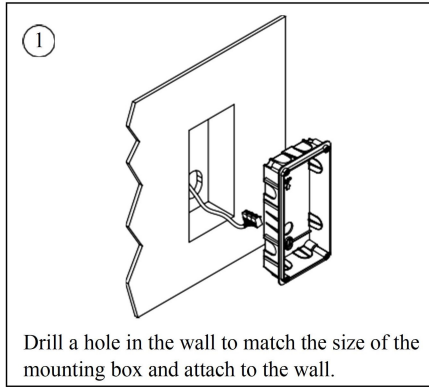
- **Lock Control Jumper:** To select the lock type.
- **Main Connect Port:** To connect the bus line and the electronic locks.
- **L1,L2:** Connect to the bus line, no polarity.
- **PL:** External lock power input, connect to the power positive(power +).
- **S1+,GND:** Lock power connection port.

3. Mounting

DT611/MK Mounting

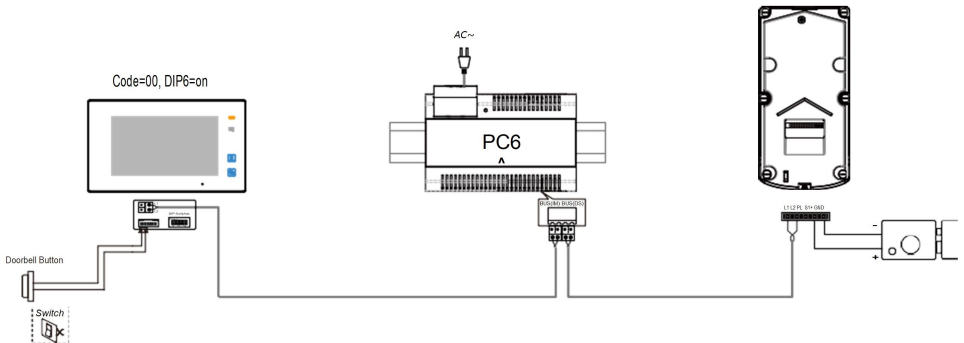


DT611F/MK Mounting



4. System Wiring and Connections

Basic Connection

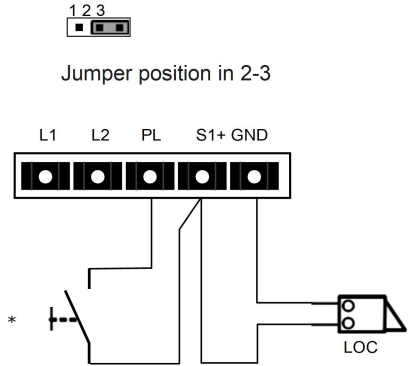


Electric Lock Connection

Door Lock Controlled with Internal Power

Note:

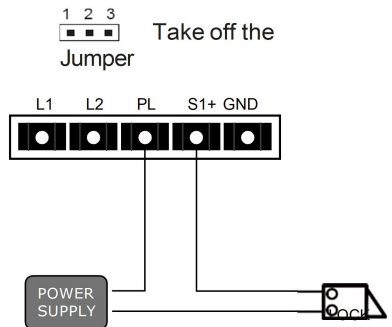
1. Electronic lock of Power-on-to-unlock type should be used.
2. The door lock is limited to 12V, and holding current must be less than 250mA.
3. The door lock control is not timed from Exit Button(EB).
4. The **Unlock Mode** Parameter of Monitor must be set to 0 (by default).



Door Lock Controlled with Dry Contact

Note:

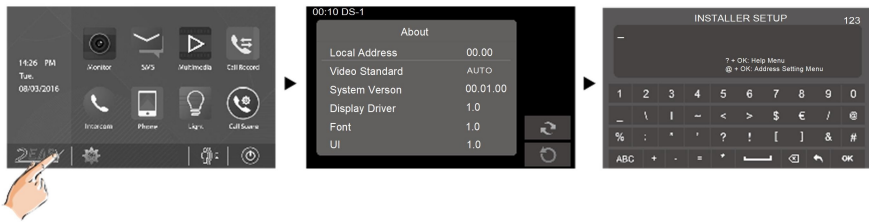
1. The external power supply must be used according to the lock.
2. The inside relay contact is restricted to AC or DC 24V/1A.
3. The jumper must be taken off before connecting.
4. Setup the **Unlock Mode** of Monitor for different lock types.
 - Power-on-to-unlock type:Unlock Mode=0 (by default)
 - Power-off-to-unlock type:Unlock Mode=1



Unlock parameter setting (set in monitor)

- On main menu page, touch **[Logo]** icon to enter **About** page.
- When the screen stays in **about** page, press **[UNLOCK]** button on front panel and hold for 2 seconds.
- A keypad is shown.

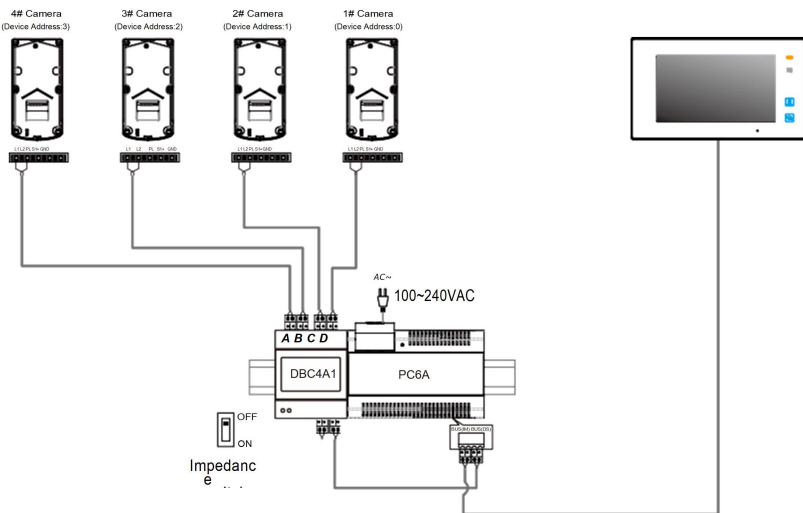
Refer to the followings:



Note:

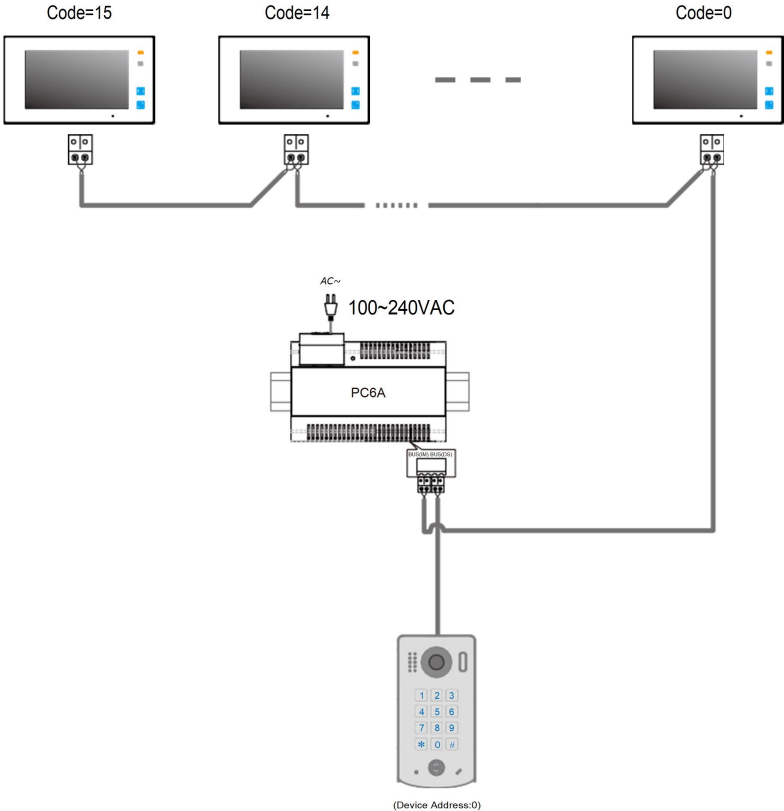
1. must connect DT611(F)/MK correctly before setting.
2. the parameter will be saved in DT611(F)/MK automatically, so you need only set on one monitor.

Multi Door Stations Connection

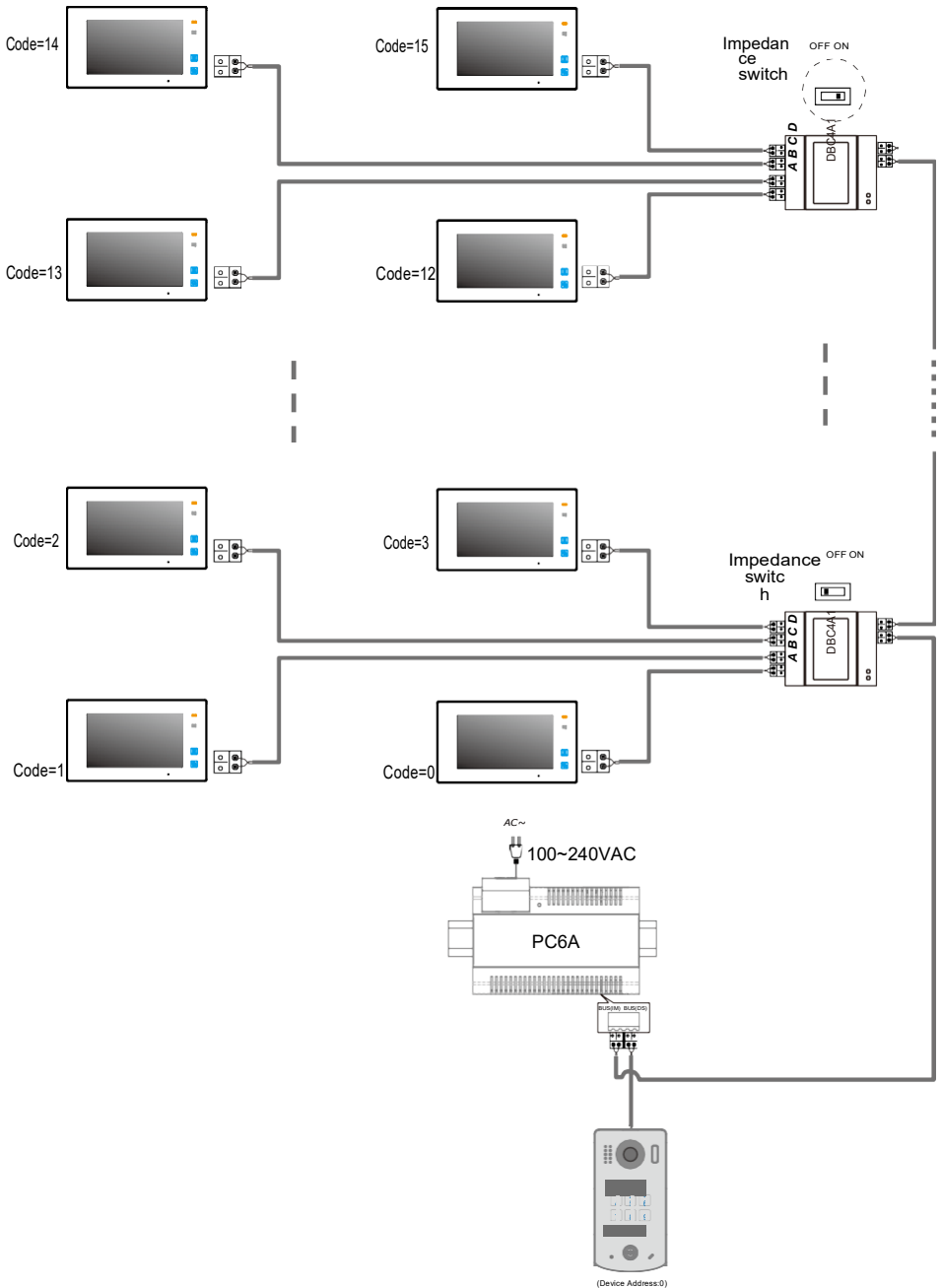


Multi Monitors Connection

Basic IN-OUT Wiring Mode



With DBC4A1 Wiring Mode



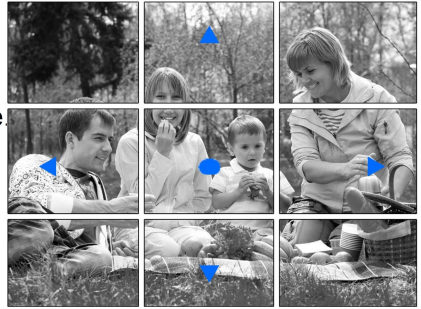
5. Pan-tilt & Zoom

Note that this function requires the monitor with fish-eye function to support.

It is available to adjust the display mode for viewing images at a fish-eye door station by using the 5 direction pad button.

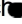
When an image at a door station is displayed, move to the desired position by touching on the screen to view the image in zoom mode.

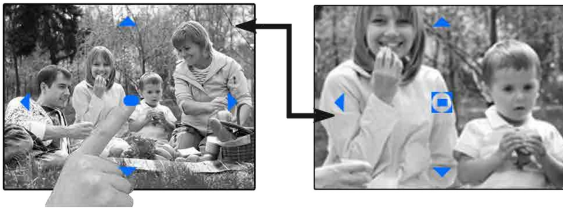
Note: The edge of pantilt image will not be displayed.



Screen of monitor

Here are some examples:

Touch  icon to zoom the center position.



6. Functions Setting Up

This section explains the settings of each function, please refer to the following table: About the setting mode:

Input the master code to switch to the setting mode, and input the corresponding setting code to perform the settings for the function you want. After settings have been made, input the following setting code* to continue the setting operation. Press " " to exit the setting mode.



- The example is set* as cancel button and # as confirm button, please refer to */# function setting for detail information.
- Forbid to slide to touch the digital keypad, it may cause mistaken key, the correct operation is using your finger to press the digital you desired.
- You should press "confirm" button after finish inputting the code number each time, otherwise, the operation will be canceled automatically in 10s.

7. Installer Programming

- In order to enter programming mode do as below :
" 1234 + * (star) "
- When at programming mode blue led will be lighted
- Quitting programming mode : " # "
- See below table explanation about how to program the unit

How to	What to type	Additional information
Return panel settings to factory mode	1234*00*1234*	Unit will return to the factory settings
Change Programming code	123*01*1234*	this will change the default programming code (1234*) In case changing the code please keep it in a safe place
Add an additional opening code	1234*20*(code)*	This will program the code to cell number 20. There are 40 cells available to store access codes.
One time code	1234*18*(code)*	This will program an one time access code to the system
Delete all of the available codes	1234*06*1234*	This will delete all of the codes that are stored in the unit memory
Normally open mode	1234*04*0*	The lock will be used as normally open usually used for electric lock
Normally close mode	1234*04*1*	The lock will be used as normally open usually used for Magnetic lock
Open relay timing	*1234*03*05*	In this setting you will define 5 seconds for the door to be opened , it is possible to choose between : 1 – 99 seconds default : 05 = 5 seconds
If more than one panel is connected in a system you will need to program each of the panel to have a different address		
Set panel 1	*1234*12*0*	This will set address number 1 to the panel which it was programmed
Set panel 2	*1234*12*1*	This will set address number 2 to the panel which it was programmed
Set panel 3	*1234*12*2*	This will set address number 3 to the panel which it was programmed
Set panel 4	*1234*12*3*	This will set address number 4 to the panel which it was programmed

Special settings		
Dial all of the monitors simultaneously	*1234*100*0*	This will set the panel to dial all of the monitors which are in the address 0 – 32 simultaneously.
Dial a specific monitor	*1234*100*1*05*	In this example it will set the panel to dial monitor which has number "5" You can type 01-32 to decide which of the monitor the panel will dial
Pressing sound : on	*1234*05*0*	This will cause the panel to beep when one of the keys in the keypad will be pressed
Pressing sound : off Silence mode	*1234*05*1*	This will cause the panel to be in silence mode when one of the keys in the keypad will be pressed no beeping
Audio volume	*1234*09*5*	You can adjust the audio volume at the panel possible to choose between 1 – 9 according to the requirement
Multi apartment settings		
In case that is more than two panels at an installation it is possible to set one panel to dial all of the tenants and the other panel to dial a specific monitor this is usually being used when there is a multi-building panel at the entrance and a regular panel for example at gym or a tenant that has a separate entrance.		
Multi building mode : on	*1234*100*0*	
Multi building mode : off	*1234*100*1*	
Set the panel to dial different tenant	*1234*101*12*	This will set the panel to dial monitor number 12
Apartment mode : Default mode	*1234*100*1*	Panel will dial all monitors in the house together (0 - 15)

8. Opening the door

If want to open the door :
type the access code + *
(code) + (star)

9.Unlock Operations

Unlocking of user code

When the registered user code has been input using the keypad (1~12 digits), the LED background indicator lights up, the buzzer sounds,and the electric door strike is unlocked.(note that you should press "#" button(if "#" button is set to confirm button) after input the unlock code)

- The time interval during which the button must be pressed is approximately 10 seconds. If the time interval exceeds approximately 10 seconds, the input value will be cleared.
- If you make a mistake when inputting the user code,press the" cancel" button and input the user code again.
- The release function is forbidden and the input operation is disabled for 60 seconds if 10 times incorrect access codes are continuously attempted. During this time,the buzzer will continuously sound about 8 times.



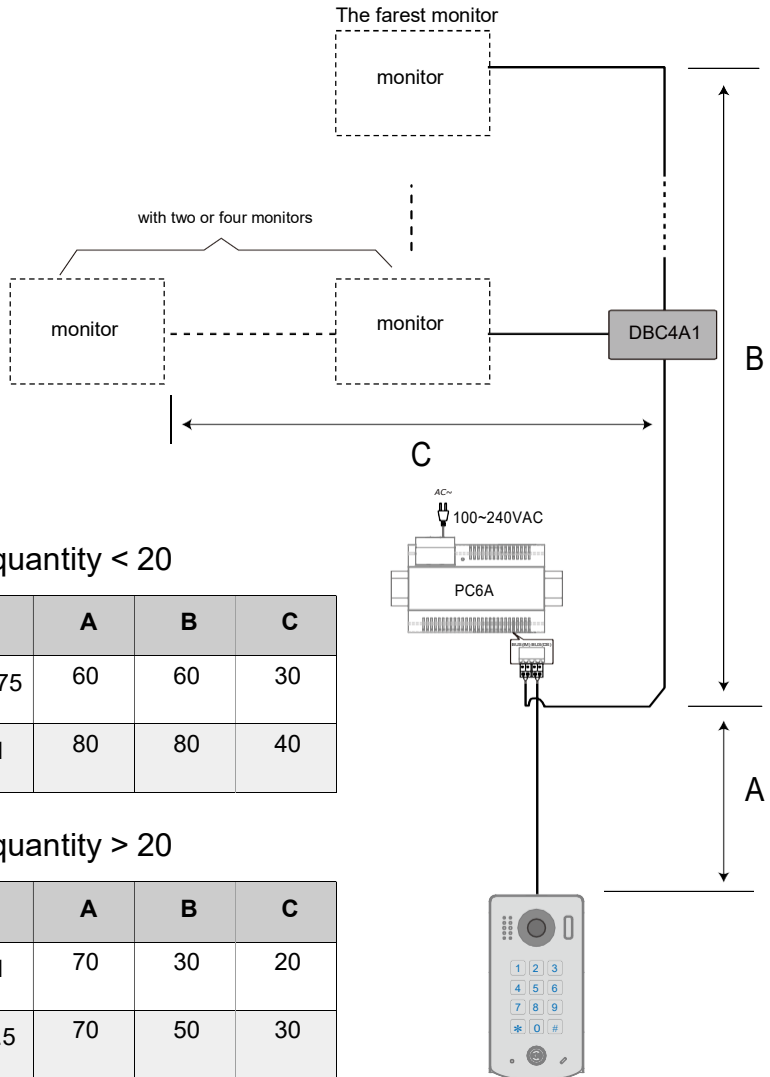
1. During calling,pressing "cancel" button can cancel the calling
2. If input the incorrect access code,the buzzer will sound of beep,beep,beep

10.Specifications

- Power Supply : DC 24V ;
- Power Consumption: Standby 15mA; Working status 105mA;
- Camera: Color CMOS, 2.0 Mega pixel
1/2.7" fisheye camera,170⁰ wide angle;
- Unlocking time: 1~99s
- Lock Power supply: 12Vdc, 280mA(Internal Power);
- Number of relay circuits: 2(the second lock need external device to support)
- Mounting: Surface
mounting(DT611/MK)
Flush mounting
(DT611F/MK)
- Working temperature: -15°C ~ +55°C
- Dimension: 182(H)×93(W)×44(D)m
m(DT611/MK)
220(H)×120(W)×50(D)mm(DT611F/MK)

11.Cables Requirements

The maximum distance of the wiring is limited in the DT system. Using different cables may also affect the maximum distance which the system can reach.



When Monitor quantity < 20

Cable Usage	A	B	C
Twisted cable 2x0.75 mm ²	60	60	30
Twisted cable 2x1 mm ²	80	80	40

When Monitor quantity > 20

Cable Usage	A	B	C
Twisted cable 2x1 mm ²	70	30	20
Twisted cable 2x1.5 mm ²	70	50	30

Note: If the monitor has been specified the distance, refer to the parameter.

12. Precautions

- Please clean the unit with soft cotton cloth don't use the organic impregnant or chemical clean agent. If necessary, please use a little pure water or dilute soap water to clean the dust.
- The unit is weather resistant. However do not spray high pressure water on access control keypad directly. Excessive moisture may cause problems with the unit.
- You must use the right adaptor which is supplied by the manufacture or approved by the manufacture..
- Pay attention to the high voltage inside the products, please refer service only to a trained and qualified professional.

Additional information

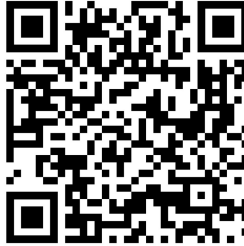
Android Application

only if using
wifi monitor



IOS Application

only if using
wifi monitor





www.tador.com

The design and specifications can be modified without notice to the user. Right to interpret and copyright of this manual are reserved.

*Moon-9-KIT (Panel + Monitor)
2-wires door entry kit*